

## JBB Series

Motor Driven Mechanical Diaphragm Metering Pump

### Features:

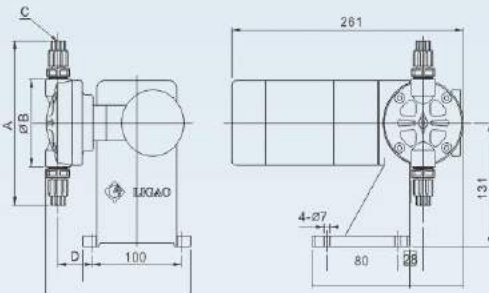
- Compact and simple design
- Multilayer composite PTFE diaphragm, long service life
- Reinforced plate design after the diaphragm
- Flow adjustment manually controlled by the micrometer
- Fluid max temperature: 70°C(158°F)

### Materials:

- Pump Head: PVC, PTFE, SS304, SS316
- Diaphragm: PTFE
- Valves: Same as pump head selection
- Valve Ball: Ceramic

### Optional Voltage:

- DC powered motor 12V or 24V is available



Unit: mm

Model	A	B	C	D	E
JBB10-40	174	94	6	39	163
JBB 60-130	207	114	10	41	172

### Parameter Table

Model	50Hz			60Hz			Pressure		Diaphragm Dia.(mm)	Power
	Flow (lph)	Flow (gph)	SPM	Flow (gph)	Flow (lph)	SPM	Bar	Psi		
JBB15/1.0	14	3.7	100	4.4	17	120	10	145	60	60W
JBB25/1.0	25	6.6	100	7.9	30	120	10	145		
JBB40/0.7	38	10	150	12	46	180	7.0	102		
JBB60/0.6	60	16	100	19	72	120	6.0	87	84	
JBB80/0.5	80	21	100	25	96	120	5.0	73		
JBB100/0.4	100	26	150	32	120	180	4.0	58		
JBB130/0.4	130	34	150	41	156	180	4.0	58		

### Connection

Model	PVC	PTFE	SS
JBB15-JBB40	6.5x10mm PE hose	RC 1/2" F	6x12mm welding union
JBB60-JBB130	10x14mm PE hose	RC 1/2" F	10x16 welding union



**GM**



**GB**



**GB-S**

## G Series

G series is robust and reliable motor driven metering diaphragm pumps. The stroke length can be adjusted to alter capacity of this pump. Two non-return valves prevent the feeding chemical from flowing back during pumping. Each pump with the reinforced plate is to protect the diaphragm. LGP G series pumps are very durable for processing all kinds of chemicals with wide flow rate range.

### Specification:

- Capacity up to 3600 lph ( 951gph) under 50Hz
- Pressure up to 10 bars (145psi)
- Processing Temperature: from 0-70°C ( 32-158°F)
- Stroke Adjustment: 0-100%
- Suction Lift: 1.5m
- Accuracy: ±2% of set point

### Materials:

- Pump Head: PVC, PTFE, SS304, SS316
- Diaphragm: PTFE
- Valves: Same as pump head selection
- Valve Ball: Ceramic



**SS Head, in NPT or PT Standard.**



**SS Head**



**PTFE Head, Flange Connection Type**



# GM

### Parameter Table

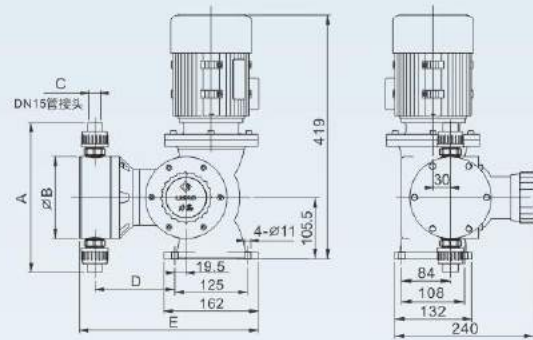
Model	50Hz			60Hz			Pressure		Diaphragm Dia.(mm)	Power KW(HP)
	Flow (lph)	Flow (gph)	SPM	Flow (gph)	Flow (lph)	SPM	Bar	Psi		
GM 25/1.0	25	6.6	48	7.9	30	58	10	145	60	0.37(0.5)
GM 50/1.0	50	13	96	16	60	115	10	145		
GM 80/0.7	80	21	48	25	96	58	7	102		
GM 120/0.7	120	32	48	38	144	58	7	102		
GM 170/0.7	170	45	96	54	204	115	7	102		
GM 240/0.5	240	63	96	76	288	115	5	73		
GM 320/0.5	310	82	144	98	372	173	5	73		
GM 420/0.5	420	111	144	133	504	173	5	73		
GM 500/0.5	480	127	144	152	576	173	5	73		

### Connection

Model	PVC	PTFE	SS
GM25-GM50	6.5x10mm PE hose	RC1/2" F	6x10mm,union for welding
GM80-GM120	DN15 glue union	RC1/2" F	10x16mm, union for welding
GM170-GM500	DN15 glue union	RC 3/4" F	15x24mm, union for welding

Unit: mm

Model	A	B	C	D	E
GM25	172	94	6	128	285
GM50-500	256	140	DN15	137.5	312



## Digital Controller



- Instant and cumulative flow display
- Easy for operation
- Digital frequency control
- Periodly medium adding with rated flow
- Level sensor function
- Can be connected to computer or PLC
- Can receive 4~20mA and hall signal
- Failure warning function

Supply power (standard): 220V, single phase, 50/60 hz



### GB

#### Parameter Table

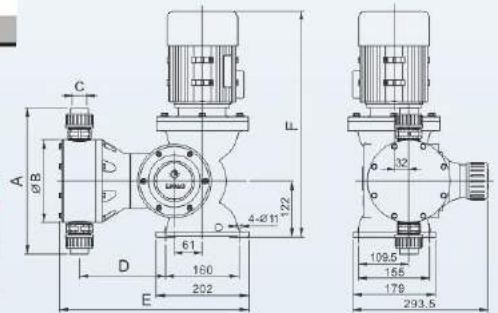
Model	50Hz			60Hz			Pressure		Diaphragm Dia.(mm)	Power KW(HP)
	Flow (lph)	Flow (gph)	SPM	Flow (gph)	Flow (lph)	SPM	Bar	Psi		
GB 380/0.6	380	100	48	120	456	58	6	87	148	0.75(1.0)
GB 500/0.6	500	132	96	159	600	115	6	87		
GB 650/0.6	650	172	96	206	780	115	6	87		
GB 850/0.5	850	225	144	269	1020	173	5	73		
GB1000/0.4	1000	264	144	317	1200	173	4	58		
GB1400/0.3	1400	370	144	444	1680	173	3	44	180	1.5(2.0)
GB1800/0.3	1800	476	144	571	2160	173	3	44		

#### Connection

Model	PVC	PTFE	SS
GB380-GB1000	DN25 glue union	RC 1" F	RC 1" F
GB1400-GB1800	DN40 glue union	RC 1.5" F	RC 1.5" F

Unit: mm

Model	A	B	C	D	E	F
GB380-800	318	180	32/DN25	187.5	414	492
GB1000	318	180	32/DN25	187.5	414	512
GB1400-1600	413	220	50/DN40	192.5	424	532



### GB-S

#### Parameter Table

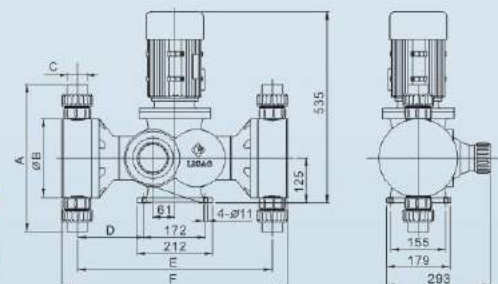
Model	50Hz			60Hz			Pressure		Diaphragm Dia.(mm)	Power KW(HP)
	Flow (lph)	Flow (gph)	SPM	Flow (gph)	Flow (lph)	SPM	Bar	Psi		
GB-S1300/0.5	1300	343	96	412	1560	115	5	73	148	0.75(1.0)
GB-S1700/0.5	1700	449		539	2040		5	73		
GB-S2000/0.4	2000	528	144	634	2400	173	4	58	185	1.5(2.0)
GB-S2800/0.3	2800	740		888	3360		3	44		
GB-S3600/0.4	3600	951		1141	4320		4	58		

#### Connection

Model	PVC	PTFE	SS
GB-S1300-GB-S2000	DN25 glue union	RC 1" F	RC 1" F
GB-S2800-GB-S3600	DN40 glue union	RC 1.5" F	RC 1.5" F

Unit: mm

Model	A	B	C	D	E	F
G-B51200-2000	318	180	32/DN25	181.5	535	611
GB-S2500-3600	413	413	50/DN40	186.5	545	631



# Accessories



Safety Valve, PVC material



Safety Valve, SS material



Safety Valve, PTFE material



Pulse Damper, PVC material



Pulse Damper , SS material



Back Pressure Valve



Fliter, PVC material



Fliter, SS material



No-return valve