









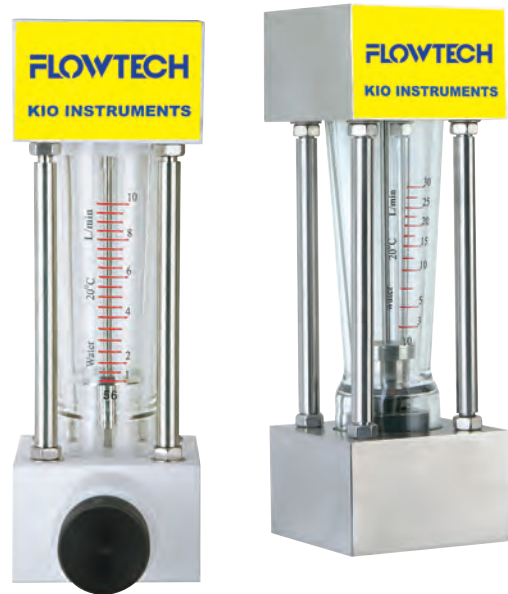
Glass Rotameters

K-500 series Glass Rotameter consist of a tapered glass tube,both ends bases,and four Ø8 holding studs,Easy installation,thread assembled and equipped with flow control valves.It is suitable for the small or large capacity flow measuring,i.e.semi-conductor chemical fluid etc.

- Temperature limit: PTFE (max 60°C)  
304SS (max 60°C)

Accuracy: ±5%

- Alarm switch is optional

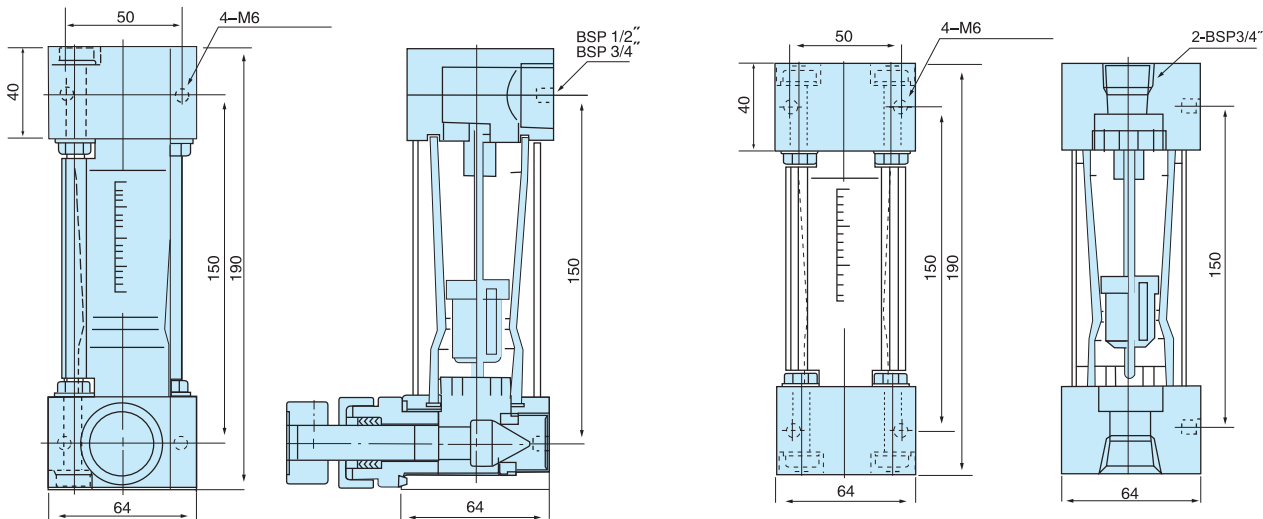
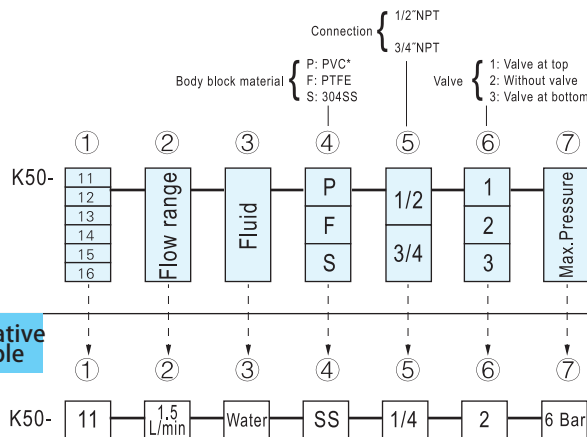


**Specifications**

Model	Measuring Range		Thread (Female)	Weights(KG)	
	Water (L/min)	Air (NL/min)		304SS	PTFE
K-5011	1~10	40~400	1/2" NPT	2.5	1.5
K-5012	2~20	60~600			
K-5013	3~30	100~900			
K-5014	4~40	120~1200	3/4" NPT	2.5	1.5
K-5015	5~50	150~1500			
K-5016	12~60	400~1800	3/4" NPT	2.5	1.5
K-5017	20~100	600~3000			

**K-500**

**How to order**



# K-500G Series

## Glass Rotameters

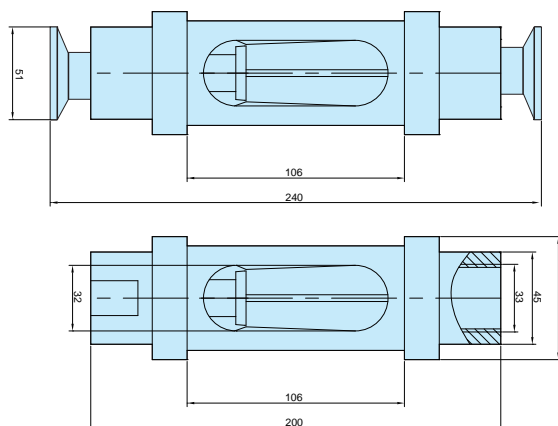
K-500G series glass rotameter consist of toper glass tube,float,top and bottom nuts,stainless steel body.it's easy to install,fittings can be optional of glue(PVC) and clamp.the flowmeter is used in ranges such as semi-conductor chemicals,etc

- Temperature limit:  $\leq 100^{\circ}\text{C}$
- Accuracy:  $\pm 2.5\%$
- Working pressure:  $\leq 0.6\text{MPa}$
- Alarm switch is optional



### Specifications

Model	Measuring Range		Thread (Female) BSP/NPT	Tri- clamp	Weights(KG) 304SS
	Water (L/min)	Air (NL/min)			
K-5011G	1~10	40~400	3/4"	Ø19	2.5
K-5012G	2~20	60~600		Ø25	
K-5013G	3~30	90~900			
K-5014G	4~40	120~1200			
K-5015G	5~50	150~1500	1"	Ø38	
K-5016G	12~60	400~1800			
K-5017G	20~100	600~3000			



KF500G

How to order

